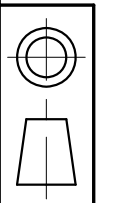
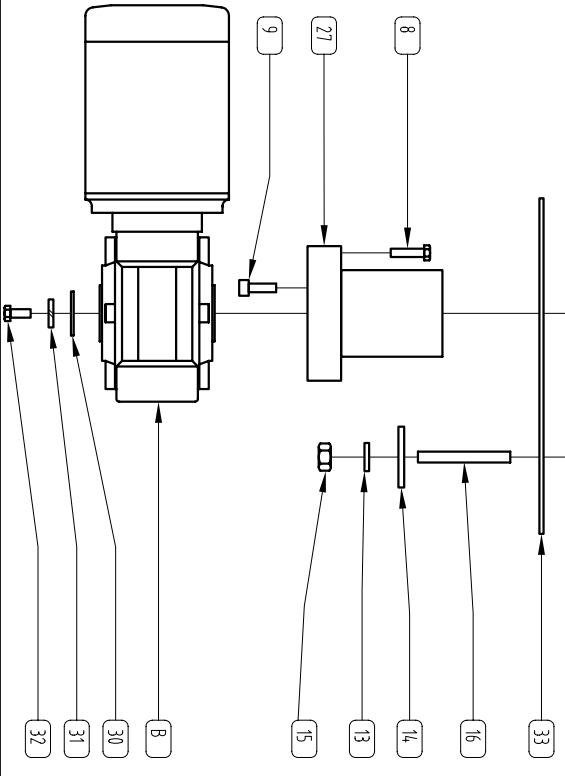


ITEM	PART NUMBER	DESCRIPTION	QTY
1	P07-CLN316V/R00850A	CLUTCH NUT SS316 VR850A	1
2	P23-316050.8022.305	ID WASHER SS 316 2" x 7/8" x 5MM	1
3	K06-SFTV/R00850A	SHAFT ASSEMBLY VR850A	1
4	R41-OR/G02802501.8	O RING SEAL 28.5X25X1.75 (BS022)	1
5	R42-SE/A0350025.06.5	SEAL 25 X35 X7 (TC12463)	1
6	P19-S/TR3040850AF	STRIPPER SS304 VR/C850AF-SPOON TYPE	1
7	P22-BASE31600850A	BASE SS316 VR/C850A	1
8	S13-30406 00030	BOLT HEX HD SS304 6MM X30MM	4
9	S45-30408 00070	SCREW SHCS SS304 8MM X70MM	4
10	S33-30408 00020	SCREW CSK SL MT 304 8MM X20MM	1
11	R51-DU252830	BASE BUSH BRONZE SELF LUBRICATING	1
12	S33-30404.76010	SCREW CSK SL MT 304 0.3-1/6 X0.3/8 INCH	2
13	S76-30410.00	WASHER SPRING SS304 10MM	3
14	S75-30410.00	WASHER FLAT SS304 10MM	3
15	S20-30410.00	NUT HEX SS304 10MM	3
16	P24-STD3040850A	STUD SS304 VR/C850A	3
17	P05-PLR3160850	PEELER SS316 VR/C850AF SPOON TYPE	1
18	P05-CCV3160850A	CHAIN COVER SS316 VR/C850A	1
19	P05-CCV3160850AINS	CHAIN COVER INSERT	1
20	P02-304012.2008.109	BUSH SS304 VRC/1000A CHAIN COVER	1
21	S45-30408 00030	SCREW SHCS SS304 8MM X30MM	1
22	R40-FGRPV/C0850A	FINGER PVC VR/C850A	1
23	S36-SPR304FGRATL	SPRING FINGER ATLANTICS	1
24	S35-30406 0006	SCREW GRUB 304 M6 X6MM	1
25	P15-PIN30419.05X27	PIN - FINGER ATLANTICS	1
26	F90-HANHDPE200	HANDLE HDPE 8" (200mm)	1
27	R50-DADP049P00850NY	VR/C850 ATLANTIC ADAPTOR BASE	1
28	S46-30408 00030	SCREW THUMB SS303 M8 X30MM	1
29	R41-OR/G01100701.8	O RING SEAL 11 X ID7.5 X 1.75 (BS011)	1
30	S75-30410.00030	WASHER SS304 30 X 10 X 2.5MM	1
31	S76-30410.00	WASHER SPRING SS304 10MM	1
32	S36-30410.00025	SCREW HEX HD SS304 10MM X 25MM	1
33	P22-BASE31600850B	BASE INSULATION PAD	1

A GYPSY
B MOTOR / GEARBOX ASSEMBLY



TOLERANCES (mm)		TITLE	
X	±	STORM VR1250	
X.X	±	EXPLODED VIEW	
X.XX	±		
UNLESS OTHERWISE SPECIFIED		PART No.	
		K08-STORMVR1250	
MATERIAL		DRN	DATE
		JT	22/5/07
FINISH		SCALE	DRG No.
		NTS	K08-ATLVR1250
		APP1	APP2
		SIZE	
			A4

MURR WINDLASSES AUSTRALIA