

03 Livewell/Baitwell Pumps

INTRODUCTION



Livewell/Baitwell Pumps

The Livewell/Baitwell Pumps are built on Rule's unsurpassed quality and leadership in pump design and technology. The innovative design includes many new and exciting features including: a quick, one-hand push button motor cartridge removal system, patented rotatable base that allows you to position the discharge nozzle at any location and threaded nylon hose barb attachments which allow for various hose mounting options.

Other features include a built-in dual port option, water-cooled housing and positive snap motor cartridge locking mechanism.

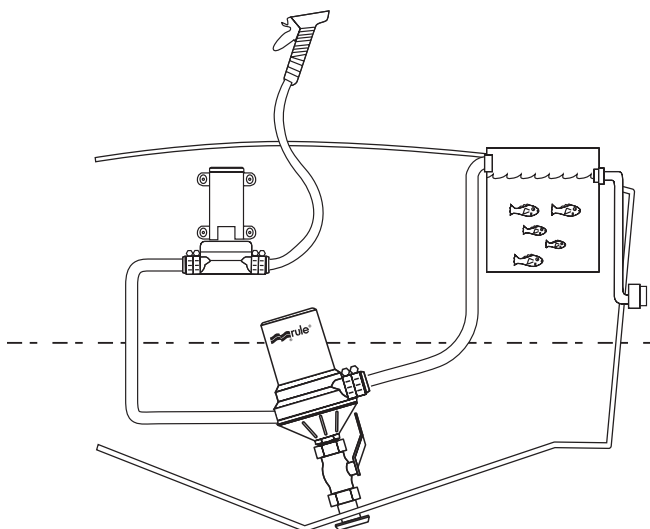
Pumps are available in 500 GPH (1895 LPH), 800 GPH (3027 LPH) and 1100 GPH (4162 LPH), plus 1600 GPH (6056 LPH) non-cartridge models, and are fitted for transom or seacock mounting options.

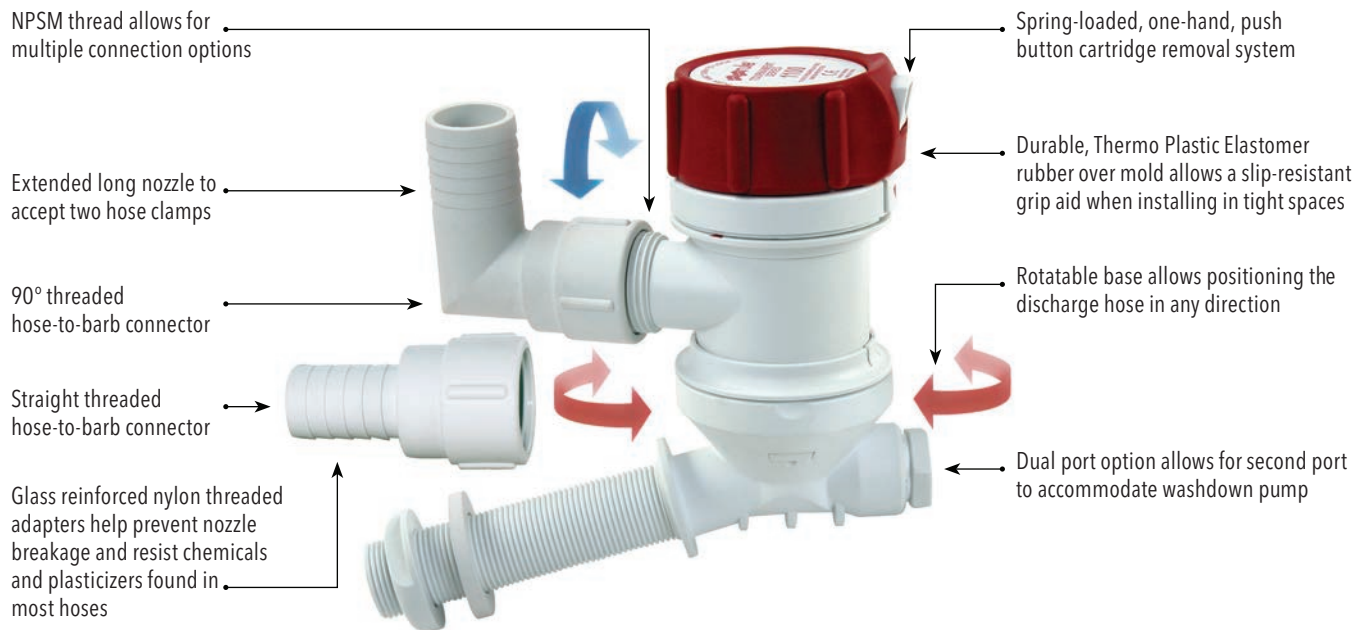
Tips on Selecting a Livewell Pump

- Always select a pump that will deliver enough water to replace livewell water every 6 to 10 minutes.
- Bigger is not better – too much pump capacity could lead to airlocks and damage delicate bait.
- Mount the pump as low and close to the hull as possible.
- "C" series with 4" (102mm) angled pickup tube for through hull applications.
- "STC" series with 4-3/4" (121mm) straight pickup tube for through hull applications.
- "FC" series 500, 800, and 1100 GPH models with 3/4" (19mm) and 1600 GPH model with 1" (25mm) tapered thread pickup tube for seacock applications.

NOTE

High-speed water intake scoops can damage the pump and possibly flood the hull.





CAPACITY	HEAD HEIGHT			DISCHARGE OUTLET
	0'	3.35' (1m)	6.7' (2m)	
500 GPH (1895 LPH)	500 GPH (1895 LPH)	340 GPH (1286 LPH)	100 GPH (378 LPH)	3/4" (19mm)
800 GPH (3027 LPH)	800 GPH (3027 LPH)	490 GPH (1854 LPH)	320 GPH (1211 LPH)	3/4" (19mm)
1100 GPH (4162 LPH)	1100 GPH (4162 LPH)	790 GPH (2989 LPH)	480 GPH (1816 LPH)	1-1/8" (29mm)
1600 GPH (6056 LPH)	1600 GPH (6056 LPH)	1200 GPH (4542 LPH)	760 GPH (2876 LPH)	1-1/8" (29mm)

Tournament Series™ Bronze Base 1600 GPH (6054 LPH) Livewell Pump

Designed for the toughest applications, the Tournament Series™ Pump is the highest capacity livewell pump in today's market. Pump features a bronze base, anti-airlock feature and a heavy-duty long-life motor. 1" (25mm) NPT female intake and 1-1/8" (29mm) discharge outlet. 12 volt DC.



FLOW	1600 GPH (6054 LPH)
DISCHARGE OUTLET	1-1/8" (29mm)
VOLTS	12V DC
INTAKE	1" (25mm) NPT female intake

MODEL	DESCRIPTION
209B	1600 GPH (6054 LPH) bronze base

Tournament Series™ Dual Port 1600 GPH (6054 LPH) Livewell Pump

Engineered to withstand the rigors of tournament fishing, the Tournament Series™ Pump is the highest capacity livewell pump in today's market.

This model features a glass filled nylon dual port base for optional washdown pump connection, anti-airlock feature and a heavy-duty long-life motor. The pump has a 1" (25mm) NPT female intake, 1-1/8" (29mm) discharge outlet and a 1/2" (6mm) NPT threaded port for washdown installation. 12 volt DC.



FLOW	1600 GPH (6054 LPH)
DISCHARGE OUTLET	1-1/8" (29mm)
VOLTS	12V DC
INTAKE	1" (25mm) NPT female intake

MODEL	DESCRIPTION
209FDP	1600 GPH (6054 LPH) dual port

03 Livewell/Baitwell Pumps

LIVEWELL / AERATOR



Gentle-Flow™ Oxygenator



Designed with the patented infuser technology and a Gentle-Flow directional discharge, the Rule Gentle-Flow™ Oxygenator is the ideal system for keeping bait and catch alive and healthy. The patented infuser technology introduces air into the base of the livewell pump through the air control center, producing millions of micro-fine bubbles. Because the bubbles are so small, they remain suspended in the water longer, providing more aeration to your delicate bait and catch. Designed to fit almost any custom tank. Kits come complete with a pump, directional discharge, intake strainer, hose and intake valve.

MODEL	DESCRIPTION
255	700 GPH (2650 LPH) ideal for 25lbs (11kg) of bait
256	1100 pump – up to 50lbs (22kg) of bait

Fish Box Evacuation Pump



The new Fish Box Evacuation Pump is perfect for emptying a fish box, easily passing debris such as bait residue, particles of ice and fish scales that are often left after a day of fishing.

- Self-priming up to 10' (3m).
- Capable of extensive dry running.
- Compact and simple design.
- Quiet running.
- Flexible Installation.
- Corrosion-resistant parts.
- Complies with USCG 183.410 and ISO 8846 MARINE (Ignition Protection).
- ISO 8849 MARINE (Bilge Pump Standard).

FLOW	5 GPM (19 LPM)
FITTING	Connections for 1-1/2" (38mm)
SIZE	10.9" long x 6.1" wide x 4.4" high (27.7cm x 15.5cm x 11.1cm)
WEIGHT	6lb (2.7kg)
VOLTS	12V DC to 24V DC
INTAKE	1-1/2" (38mm) NPT female intake

MODEL	DESCRIPTION
50900-1000	12V DC model, fuse 10 amp
50900-1100	24V DC model, fuse 5 amp
SK900	Service Kit

"C" Series Tournament Series™ Angled Inlet



For through hull applications. Angled 4" (102mm) pickup tube. 12 volt DC.

MODEL	DESCRIPTION
401C	500 GPH (1893 LPH), 3/4" (19mm) discharge hose, fuse 2.5 amp
403C	800 GPH (3028 LPH), 3/4" (19mm) discharge hose, fuse 5 amp
405C	1100 GPH (3785 LPH), 1-1/8" (29mm) discharge hose, fuse 6 amp

"STC" Series Tournament Series™ Straight Inlet



For through hull applications. Straight 4-3/4" (121mm) pickup tube. 12 volt DC.

MODEL	DESCRIPTION
401STC	500 GPH (1893 LPH), 3/4" (19mm) discharge hose, fuse 2.5 amp
403STC	800 GPH (3028 LPH), 3/4" (19mm) discharge hose, fuse 5 amp
405STC	1100 GPH (3785 LPH), 1-1/8" (29mm) discharge hose, fuse 6 amp

Replacement Motor Cartridges

Replacement Motor Modules for all Tournament Series™ Aerator Pumps.

NOTE

Not to be used on the Pro-Series™.



MODEL	DESCRIPTION
45DR	500 GPH (1893 LPH), fuse 2.5 amp
46DR	800 GPH (3028 LPH), fuse 5 amp
47DR	1100 GPH (4162 LPH), fuse 6 amp. Only suitable for model numbers 405C, 405STC and 405FC.

"FC" Series Tournament Series™ Seacock Inlet



For seacock applications. 3/4" (19mm) NPT intake with tapered threads. 12 volt DC.

MODEL	DESCRIPTION
401FC	500 GPH (1893 LPH), 3/4" (19mm) discharge hose, fuse 2.5 amp
403FC	800 GPH (3028 LPH), 3/4" (19mm) discharge hose, fuse 5 amp
405FC	1100 GPH (4162 LPH), 1-1/8" (29mm) discharge hose, fuse 6 amp

Fittings



MODEL	DESCRIPTION	FITS
291	3/4" 90° Hose Barb Elbow	500/800 GPH
292	1-1/8" 90° Hose Barb Elbow	1100 GPH
293	3/4" Straight Hose Barb Elbow	500/800 GPH
294	1-1/8" Straight Hose Barb Elbow	1100 GPH

03 Livewell/Baitwell Pumps

LIVEWELL / AERATOR



Rule Oxygenator Systems

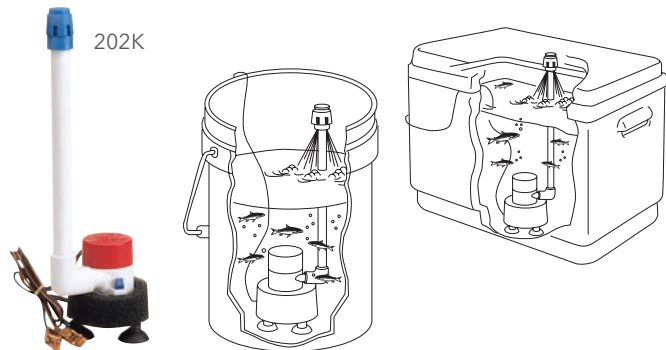
High-performance, live-bait aerators keep bait and catch alive and healthy in a smaller amount of water. Air is infused with the water at the pump impeller, then millions of micro-fine bubbles are produced and sent gently out of the pump into the livewell. Because the bubbles are so fine, they remain suspended in the water longer and more aeration is provided for your delicate bait and catch. 12 volt DC.

MODEL	DESCRIPTION
250	500 GPH Oxygenator System – ideal for 10lbs (5kg) of bait
251	800 GPH Oxygenator System – ideal for 25lbs (11kg) of bait
252	1100 GPH Oxygenator System – ideal for 50lbs (23kg) of bait



Portable Aerator Kit

Aerates from 5 to 30 gallons (19 to 113L) of water. The Rule 360 GPH (1741 LPH) pump attaches easily to any non-porous surface. 9" (22.9cm) long spray tube can be custom cut to fit into any container. A fully adjustable spray head increases or reduces flow of water. Foam filtration system keeps water sparkling clean. The kit also includes battery clips for easy attachment to your 12 volt power source. 12 volt DC.



Transom Mounted Livewell Pumps

Rule introduces a lineup of Transom Mounted Aerator Pumps. This allows the fisherman to have professional aeration of his livewell without the need to install a pump through the hull. The unique "quick-release" pump with strainer base assembly snaps easily into the transom bracket provided. At the end of the day, the pump can be removed for storage. Pumps feature 6' (1.8m) wire leads. 12 volt DC.

MODEL	DESCRIPTION
24TB	360 GPH (1363 LPH)
25DTB	500 GPH (1893 LPH)
20RTB	800 GPH (3028 LPH)
27DTB	1100 GPH (4162 LPH)
265	Bracket only



Replacement Motor Cartridges for Original Pro-Series™ Livewell Pumps



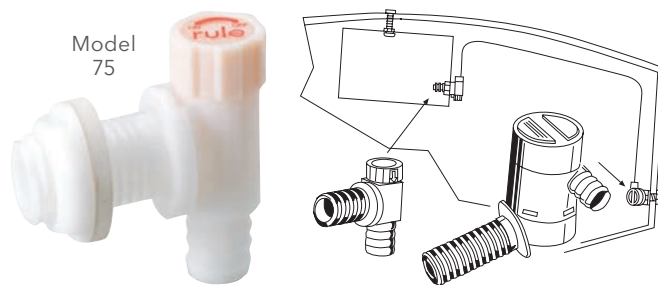
Replacement motor cartridges for Rule Cartridge Bilge Pumps and Livewell/Aerator Pumps. 12 volt DC.

NOTE

Not to be used with Tournament Series™.

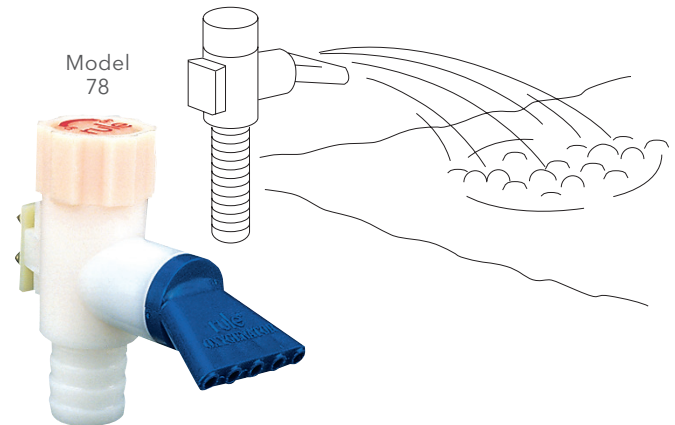
MODEL	DESCRIPTION
25DR	Replacement Motor Cartridge, 500 GPH (1893 LPH)
20RR	Replacement Motor Cartridge, 700 GPH (2650 LPH)
27DR	Replacement Motor Cartridge, 1100 GPH (4162 LPH)

Variable Flow Control Valve



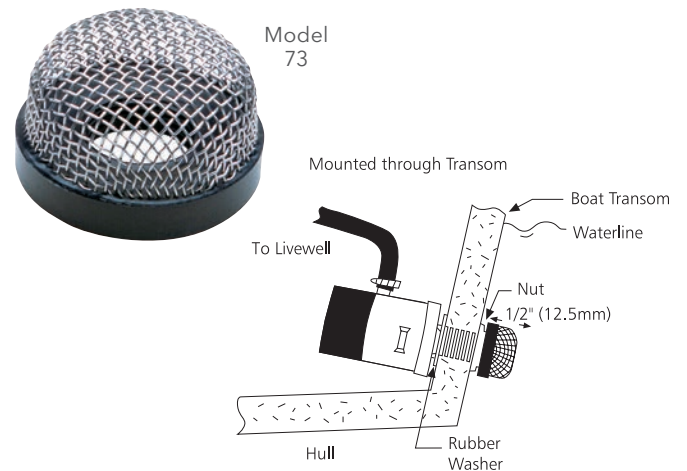
The Variable Flow Control Valve allows increases and decreases of flow with no damage at all to the pump. Range includes fully open flow to zero flow. For use with 3/4" (19mm) hose.

Oxygenator Spray Head



Rule's Oxygenator Spray Head sprays streams of water back into the livewell tank, enriching the water with oxygen. Adjustable spray head allows you to increase or decrease flow of water. For use with 3/4" (19mm) hose.

Livewell Pump Debris Strainer



The Livewell Pump Debris Strainer attaches directly to any pickup tubes on Rule Livewell Pumps. Filters out trash and debris which could clog pump. Stainless steel wire mesh, 3/4" (19mm) female NPSM threads.