



Features and benefits

- The combined stainless steel and chromed bronze RC6 Series utilises 6mm/7mm (1/4") chain spliced to 12mm (1/2") three strand or 8-braid (plait) rope.
- The RC6 features Maxwell's revolutionary, and patented, new Wave Design™ chainwheel. Refer below for more information about this innovative feature.
- Providing most of the features of the larger RC8 (refer pages 8 and 9), the RC6 has been designed with the smaller, trailer boat market in mind.
- The in-line, vertical gearbox and motor means quick and easy installation by either the boat yard or the DIY aftermarket customer.
- An inexpensive, high performance and great looking windlass; the RC6 is built for durability and years of trouble free use.
- The RC6 is a Low Profile unit (no optional capstan drum).

Every Maxwell automatic rope/chain windlass is available with all the necessary components for fully automatic dual direction control in a competitively priced package.

SPECIFICATIONS

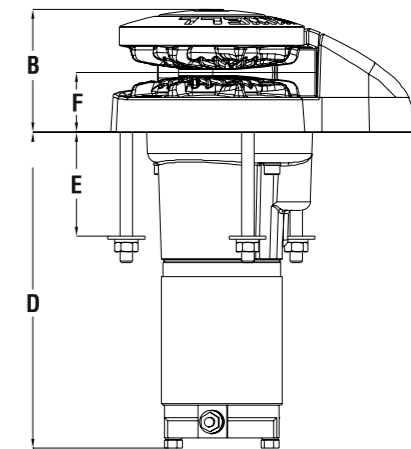
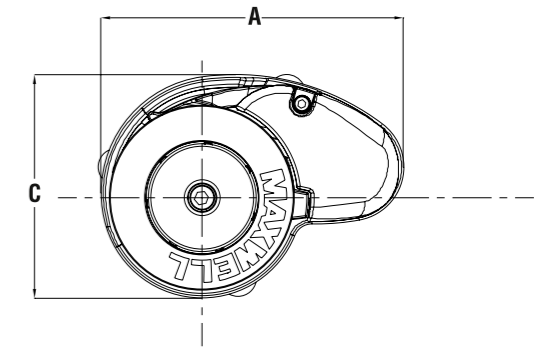
Model	RC6
Maximum Pull/Lift	350kg 770lbs
Static Hold	700kg 1540lbs
Chain Short Link	6mm/7mm 1/4"
Rope Size (Nylon)* (3 strand or 8 plait recommended)	12mm 1/2"
Chain Speed (Anchor Retrieval)	24m/min 79ft/min
Rope Speed (Anchor Retrieval)	21m/min 69ft/min
Power Supply (DC)	12 or 24V
Motor Power	500W
Net Weight	8.5kg 18.7lbs

* refer to owners manual for rope size variations.

DIMENSIONS

Model	RC6
A	196mm 7 3/4"
B	80mm 3 3/16"
C	145mm 5 3/4"
D	209mm 8 1/4"
E	65mm 2 1/2"
F	39mm 1 9/16"

The combined stainless steel and chromed bronze RC6 automatic rope/chain anchor winch is Maxwell's smallest version of the highly successful vertical RC Series Windlass Range.



RC6



RC6 showing, "fast install", in-line vertical gearbox and motor

STANDARD EQUIPMENT REQUIRED FOR DUAL DIRECTION CONTROL

- Circuit breaker/isolator panel
- Up/Down remote control panel
- Emergency 'free fall' activation lever
- Dual Direction Solenoid

OPTIONS

- AutoAnchor™ Equipment
- Compact Remote
- Foot Switches
- Chain Stopper
- Chain Snubber

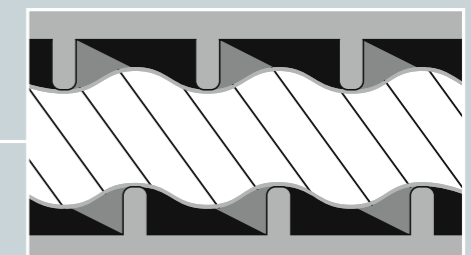
Every Maxwell RC6 automatic rope/chain windlass comes with top works, motor/gear box and dual direction solenoid. Switches and circuit breaker are available and need to be ordered separately. Refer chart on page 34.

Important: Maxwell windlasses must be used in conjunction with a chain stopper and/or alternative snubbing device to take the load off the windlass while laying at anchor. The chain stopper and alternative snubbing system should also be used to secure the anchor in the fully raised position while under way.

MAXWELL'S REVOLUTIONARY NEW CHAINWHEEL

Maxwell once again leads the market in innovative thinking with the introduction of their latest Wave Design™ chainwheel. This patented rope/chain wheel incorporates two unique design concepts that greatly improve the handling and control of the rope/chain spliced rode. The outer ribs of the chainwheel are angled slightly forward ensuring that the rope and the chain are smoothly guided in the wheel during anchor retrieval.

As the rope pulls into the wheel, the opposite facing inner ribs grip the rope in an undulating manner, securing the rope more firmly in a 'wave pattern' action that is far superior to the traditional 'jam cleat' manner of holding the rope compared to all other products on the market. Not only does this Wave Design™ hold the rope more securely, it is also kinder on the rope resulting in increased longevity of your anchor rode.



3 YEAR
Limited Warranty



McLAY BOATS' 690

3 YEAR
Limited Warranty



RC8

- Unique spacer tube design allows installation through virtually any deck thickness and the multiple mounting positions and self aligning gearbox ensure optimal location of gearbox and motor in virtually all installation situations.
- The RC8 features Maxwell's revolutionary, and patented, new Wave Design™ chainwheel. Refer RC6 pages for more information about this innovative feature.
- The heavy duty stainless steel pressure arm is designed to effectively help grasp the rope/chain splice, giving the RC8 an unparalleled level of performance. In combination with a heavy duty, large wire diameter, stainless steel pre-loaded spring, the pressure arm always exerts maximum control pressure.
- The RC8 works just as effectively with all-chain rodes.
- Huge, through deck hawse pipe throat ensures easy entry of the rope/chain rode into and out of the anchor locker.

- Full disassembly capability of the topworks utilising only the handle provided and an Allen key.
 - Manual override and 'Free Fall', using the emergency crank/clutch handle provided.
 - Sealed oil bath and marine-grade hard anodised, alloy gearbox provides maximum output via a precision worm and worm wheel.

SPECIFICATIONS

Model	RC8 6/7mm - 1/4"	RC8 8mm - 5/16"
Maximum Pull/Lift	350kg 770lbs	600kg 1320lbs
Static Hold	1200kg 2640lbs	1200kg 2640lbs
Chain Short Link	6mm/7mm 1/4"	8mm 5/16"
Rope Size (Nylon)*	12mm (3 strand or 8 plait recommended) 1/2"	14mm - 16mm 5/8"
Chain Speed (Anchor Retrieval)	28m/min 92ft/min	32m/min 105ft/min
Rope Speed (Anchor Retrieval)	24m/min 79ft/min	28m/min 92ft/min
Power Supply (DC)	12 or 24V	12 or 24V
Motor Power	600W	1000W
Net Weight	12.5kg 27.5lbs	16.5kg 36.3lbs

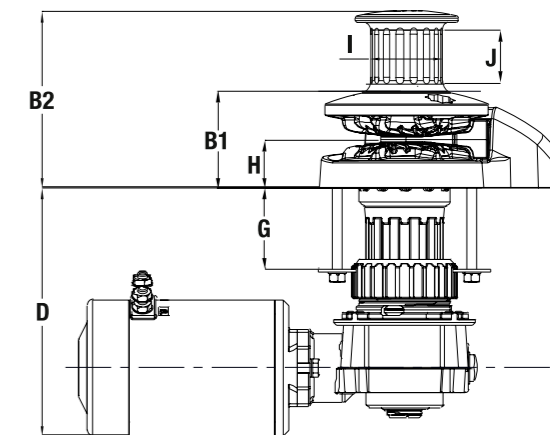
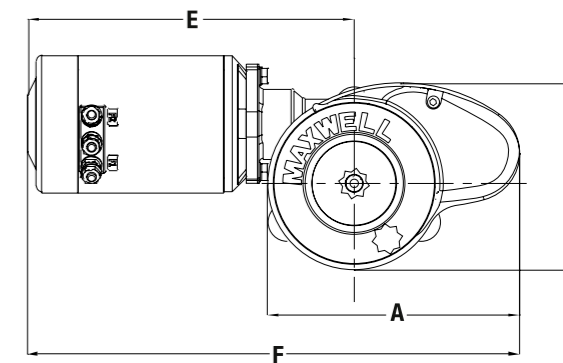
* refer to owners manual for rope size variations.

DIMENSIONS

Both Models	RC8 6/7mm - 1/4"	RC8 8mm - 5/16"
A	210mm 8 5/16"	210mm 8 5/16"
B1	83mm 3 5/16"	83mm 3 5/16"
B2 (with Capstan)	146mm 5 3/4"	146mm 5 3/4"
C	156mm 6 3/16"	156mm 6 3/16"
D	200mm 7 7/8"	208mm 8 1/4"
E	245mm 9 5/8"	272mm 10 3/4"
F	383mm 15"	410mm 16 1/4"
G (Std deck clearance) ^	65mm 2 1/2"	65mm 2 1/2"
H	40mm 1 5/8"	40mm 1 5/8"
I	66mm 2 5/8"	66mm 2 5/8"
J	44mm 1 3/4"	44mm 1 3/4"

^ extra deck clearance models available. Contact your Maxwell dealer.

The combined stainless steel and chromed bronze RC8 Series of automatic rope/chain anchor winches are Maxwell's mid-range additions to the highly successful RC Series Windlass Range.



Features and benefits

- The combined stainless steel and chromed bronze RC8-6 fully automatic rope/chain windlass is designed to effortlessly retrieve and deploy 6mm/7mm (1/4") chain spliced to 12mm (1/2") three strand or 8-brait (plait) rope.
- The more powerful RC8-8 can be used with 8mm (5/16") chain spliced to 14mm three strand or 8-plait rope.
- The ingenious Wave Design™ rope/chain gypsy (chainwheel) is able to accommodate a wide range of chain pitch differences within the specified chain size diameters suitable for use with the RC8 Series.
- A sleek, Low Profile version and a fluted stainless steel capstan drum version, are available.
- Simple two piece installation saves time and money and allows easy retrofitting without disassembly of the windlass.



RC8 Capstan Version

STANDARD EQUIPMENT REQUIRED FOR DUAL DIRECTION CONTROL

- Circuit breaker/isolator panel
- Dual direction solenoid pack
- Up/Down remote control panel
- Emergency crank/clutch release handle

OPTIONS

- AutoAnchor™ Equipment
- Compact Remote
- Capstan model
- Foot Switches
- Chain Stopper or Chain Snubber

Every Maxwell RC8 automatic rope/chain windlass comes with top works, motor/gear box and dual direction solenoid. Switches and circuit breaker are available and need to be ordered separately. Refer chart on page 34.

Every Maxwell automatic rope/chain windlass is available with all the necessary components for fully automatic dual direction control in a competitively priced package.

Important: Maxwell windlasses must be used in conjunction with a chain stopper and/or alternative snubbing device to take the load off the windlass while laying at anchor. The chain stopper and alternative snubbing system should also be used to secure the anchor in the fully raised position while under way.



Simple two piece installation

RC8 with gearbox and motor



RC10 Capstan Version



RC10

3 YEAR
Limited Warranty

SPECIFICATIONS

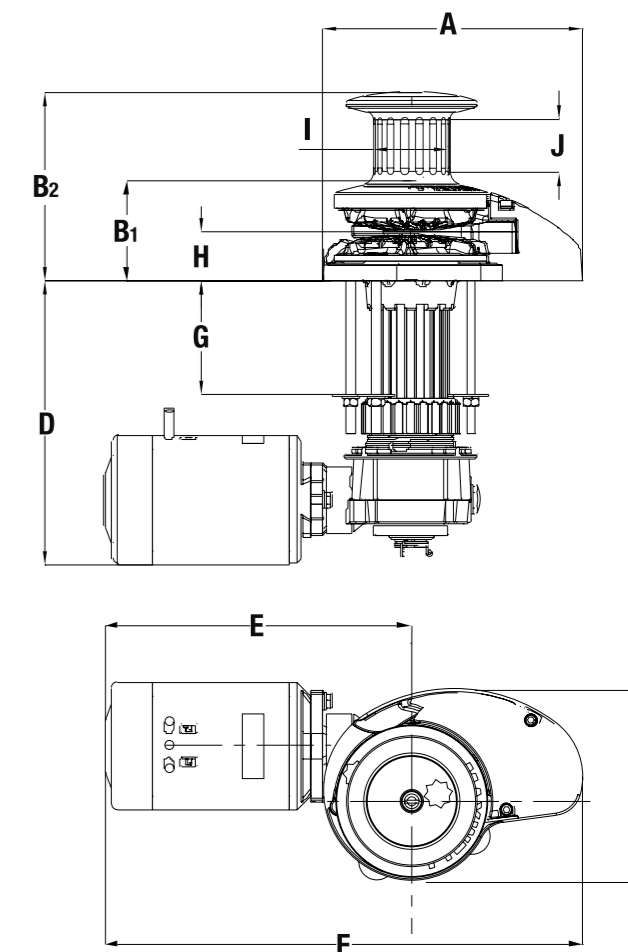
Model	RC10 8mm - 5/16"	RC10 10mm - 3/8"
Maximum Pull/Lift	700kg 1540lbs	850kg 1870lbs
Static Hold	1500kg 3300lbs	1500kg 3300lbs
Chain Short Link	8mm 5/16"	10mm 3/8"
Rope Size	14mm - 16mm 5/8"	16mm 5/8"
Chain Speed (Normal Working load)	24m/min 79ft/min	24m/min 79ft/min
Rope Speed (Normal Working load)	20m/min 65ft/min	20m/min 65ft/min
Power Supply (DC)	12 or 24V	12 or 24V
Motor (Watts)	1000W	1200W
Net Weight	19kg 42lbs	20kg 44lbs

DIMENSIONS

Model	RC10 8mm - 5/16"	RC10 10mm - 3/8"
A	230mm 9 1/8"	230mm 9 1/8"
B1	89mm 3 1/2"	89mm 3 1/2"
B2 (with capstan)	168mm 6 5/8"	168mm 6 5/8"
C	170mm 6 3/4"	170mm 6 3/4"
D	251mm 10"	251mm 10"
E	272mm 10 3/4"	272mm 10 3/4"
F	424mm 16 3/4"	424mm 16 3/4"
G (Std deck clearance) ^	100mm 4"	100mm 4"
H	43mm 1 3/4"	43mm 1 3/4"
I	66mm 2 5/8"	66mm 2 5/8"
J	44mm 1 3/4"	44mm 1 3/4"

^ extra deck clearance models available. Contact your Maxwell dealer.

The combined stainless steel and chromed bronze RC10 Series windlasses are Maxwell's upper mid-range additions to the highly successful new RC Series Windlass Range.



Important: Maxwell windlasses must be used in conjunction with a chain stopper and/or alternative snubbing device to take the load off the windlass while laying at anchor. The chain stopper and alternative snubbing system should also be used to secure the anchor in the fully raised position while under way.



Features and benefits

- The combined stainless steel and chromed bronze RC10 fully automatic windlass series is designed to effortlessly retrieve and deploy 8mm (5/16") and 10mm (3/8") short link chain and 14mm and 16mm (5/8") three strand or 8-braid (plait) rope.
- A sleek, Low Profile version and a fluted stainless steel capstan drum version, are available.
- Simple two piece installation saves time and money and allows easy retrofitting without disassembly of the windlass. Unique spacer tube design allows installation through virtually any deck thickness and the multiple mounting positions and self aligning gearbox ensure optimal location of gearbox and motor in virtually all installation situations.
- Full disassembly capability of the topworks utilising only the handle provided and an Allen key.
- The RC10 is manufactured from marine-grade 316 stainless steel and chromed bronze for long term durability. The heavy duty stainless steel pressure arm, coupled with the unique rope/chain gypsy, is designed to effectively grasp the splice between rope and chain, giving the RC10 an unparalleled level of performance.
- In combination with a heavy duty, large wire diameter, stainless steel pre-loaded spring, the pressure arm pivots on a trouble free bearing, thereby exerting maximum control pressure on the rode and splice.
- The RC10 works just as effectively with all chain rodes for those who desire a Low Profile, elegantly styled windlass on their foredeck.
- Huge, through deck hawse pipe throat ensures easy entry of the rope/chain rode into and out of the anchor locker.
- Cone type clutch/brake mechanism permits manual, 'Free Fall' anchoring.
- Sealed oil bath and marine-grade hard anodised, alloy gearbox provides maximum output via a precision worm and worm wheel.

STANDARD EQUIPMENT REQUIRED FOR DUAL DIRECTION CONTROL

- Circuit breaker/isolator panel
- Dual direction solenoid pack
- Up/Down remote control panel
- Emergency crank/clutch release handle

OPTIONS

- AutoAnchor™ Equipment
- Compact Remote
- Capstan model
- Foot Switches
- Chain Stopper or Chain Snubber

Every Maxwell RC10 automatic rope/chain windlass comes with top works, motor/gear box and dual direction solenoid. Switches and circuit breaker are available and need to be ordered separately. Refer chart on page 34.

Every Maxwell automatic rope/chain windlass is available with all the necessary components for fully automatic dual direction control in a competitively priced package.



**NEW
FOR 2012**

The RC12 Series incorporates Maxwell's latest stylish innovation in automatic rope/chain windlass technology. Retaining the classic open design styling more appropriate on larger boats, the RC12-10 and RC12-12 represent the next generation of rope/chain windlass evolution in every respect.

Features and benefits

- The RC12 fully automatic windlass series is designed to effortlessly retrieve and deploy 10mm (3/8") short link chain and 16mm (5/8") to 20mm (3/4") three strand or 8-Plait rope (RC12-10) and 13mm (1/2") short link chain and 16mm (5/8") to 20mm (3/4") three strand or 8-Plait rope (RC12-12).
- With a maximum pull of 1590 kg (3500 lb), and an anchor retrieval rate of 15m/min (50ft/min), the RC12-12 is one of the fastest and gruntest windlasses in its class.
- A sleek, Low Profile version and a fluted stainless steel capstan drum version, are available.
- The all new RC12 is packed with patented innovative features combined with Maxwell's traditionally classic aesthetics, but reflecting the modern "form follows function" of the highly successful RC6, RC8 and RC10 series windlasses.
- The elegantly designed deckplate and chainpipe cover are manufactured in polished marine-grade 316 stainless steel, as are the heavy duty pressure arm, stripper, chainwheel and fluted capstan drum.
- The huge, through deck hawse pipe throat ensures easy entry of the rope/chain rode into and out of the anchor locker.
- Double cone-type brake/clutch mechanism permits 'Free Fall' anchoring. Cone clutches, unlike dog clutches, provide smooth progressive engagement, ensuring safe and precise operator control.
- The RC12 features Maxwell's revolutionary and patented new Wave Design™ chainwheel. Refer to RC6 page for more information about this innovative feature.
- Emergency manual retrieval is made simple and easy with Maxwell's unique "Active Latch Ratchet System" operation that prevents backwind of the windlass during manual hauling of the anchor.
- The Maxwell designed, all new and innovative black, hard anodised gearbox provides numerous advantages:
 - Fast and easy windlass installation
 - More corrosion resistant
 - Easy to maintain and service
 - Takes up less room in the anchor locker
 - 75:1 Ratio (RC12-10) or 100:1 Ratio (RC12-12), single stage design with less moving parts, for smoother and quieter operation
 - Allows for multi-positioning of the gearbox/motor.

SPECIFICATIONS

Model	RC12 10mm - 3/8"	RC12 13mm - 1/2"
Maximum Pull/Lift	1134kg 2500lbs	1590kg 3500lbs
Static Hold	2200kg 4840lbs	2200kg 4840lbs
Chain Short Link**	10mm 3/8"	13mm 1/2"
Rope Size** 3 strand or 8 plait	16-20mm 5/8-3/4"	16-20mm 5/8-3/4"
Chain Speed (at normal working load)	24m/min 79ft/min	15m/min 50ft/min
Rope Speed (at normal working load)	20m/min 65ft/min	13m/min 43ft/min
Power Supply (DC)	12V or 24V	12V or 24V
Motor Power	1200W	1200W
Net Weight - DC (Capstan version)	32kg 71lbs	32kg 71lbs
Net Weight - DC (Low Profile version)	29kg 64lbs	29kg 64lbs
Hydraulic Pressure	138bar 2000PSI	138bar 2000PSI
Hydraulic Flow	42 l/min 11USgal/min	42 l/min 11USgal/min
Net Weight - Hyd (Low Profile) (Capstan version)	23kg/51lbs 26kg/57lbs	23kg/51lbs 26kg/57lbs

** When ordering please specify your specific rope and chain, combination rode

STANDARD EQUIPMENT REQUIRED FOR DUAL DIRECTION CONTROL

- Circuit breaker/isolator panel
- Dual direction solenoid pack
- Up/Down remote control panel
- Clutch release handle
- Emergency (manual) retrieval handle.

OPTIONS

- Foot Switches
- Extra deck clearance kit
- AutoAnchor™ Equipment
- Compact Remote
- Chain Stopper
- Chain Snubber

Every Maxwell RC12 automatic rope/chain windlass comes with top works, motor/gear box and dual direction solenoid. Switches and circuit breaker are available and need to be ordered separately. Refer chart on page 34.

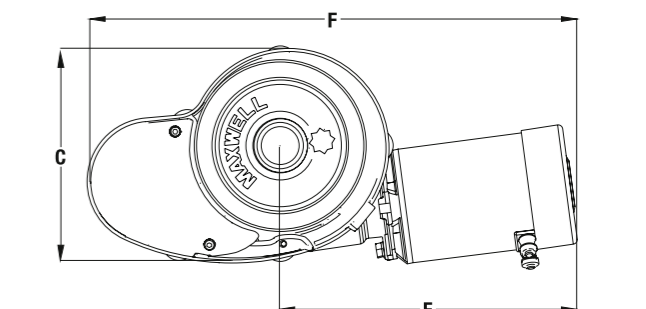
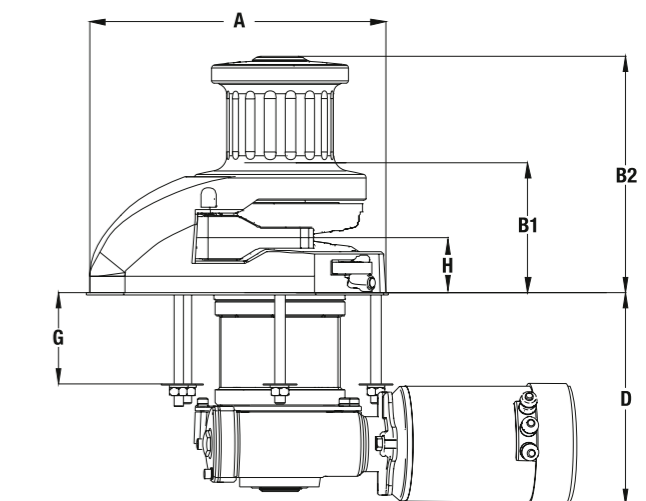
Activation of the ratcheted mechanism lever ensures the windlass can not backwind during emergency (manual) retrieval of the rode (rope and/or chain) and anchor.



Important: Maxwell windlasses must be used in conjunction with a chain stopper and/or alternative snubbing device to take the load off the windlass while laying at anchor. The chain stopper and alternative snubbing system should also be used to secure the anchor in the fully raised position while under way.

DIMENSIONS

Model	RC12 10mm - 3/8"	RC12 13mm - 1/2"
A	293mm 11 5/8"	293mm 11 5/8"
B ¹ (Low Profile version)	128mm 5 1/8"	128mm 5 1/8"
B ² (Capstan version)	233mm 9 1/4"	233mm 9 1/4"
C	206mm 8 1/8"	206mm 8 1/8"
D (Std deck clearance)	210mm 8 3/8"	210mm 8 3/8"
E	294mm 11 5/8"	294mm 11 5/8"
F	482mm 19"	482mm 19"
G (Std deck clearance)	90mm 3 5/8"	90mm 3 5/8"
H	54mm 2 1/4"	54mm 2 1/4"



Every Maxwell automatic rope/chain windlass is available with all the necessary components for fully automatic dual direction control in a competitively priced package.



RC12 Capstan Model

3 YEAR
Limited Warranty



RC12 Low Profile Model