

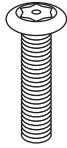
**SP2S1 / SP3S1 / SP5S1**

[www.seaviewglobal.com](http://www.seaviewglobal.com)



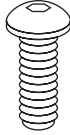
x6

M6 x 1 x15mm



x8

M4 x 0.7 x20mm



x6

1/4 x 20 x 3/4"



x6



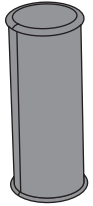
x8



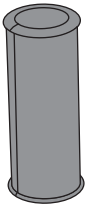
x12



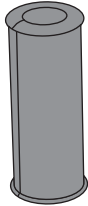
x6



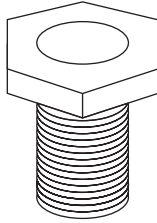
x1



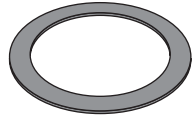
x1



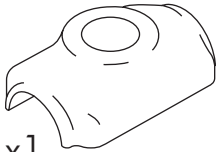
x1



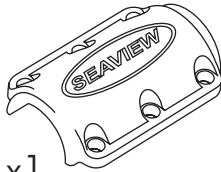
x1



x2



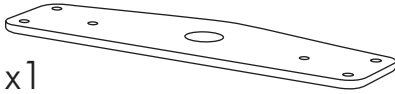
x1



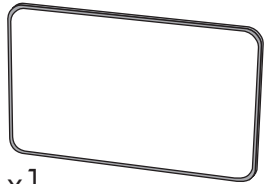
x1



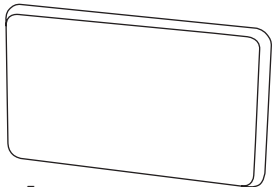
x1



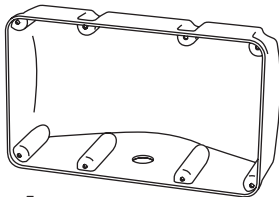
x1



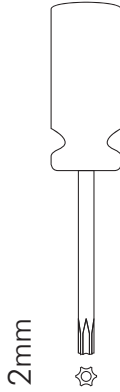
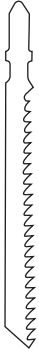
x1



x1



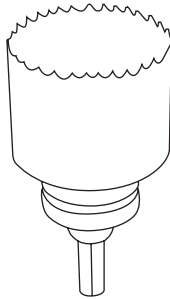
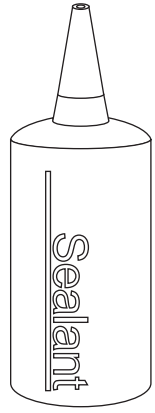
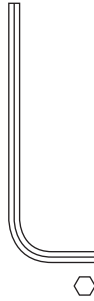
x1



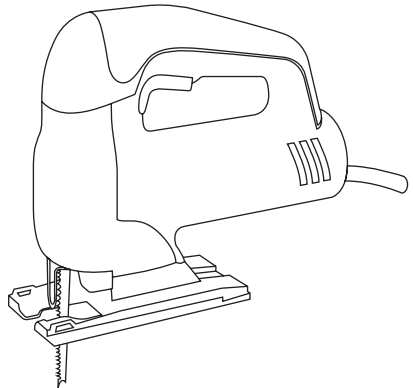
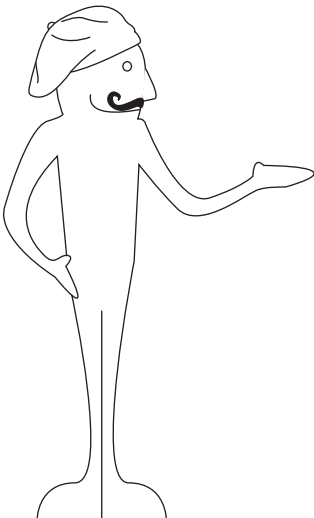
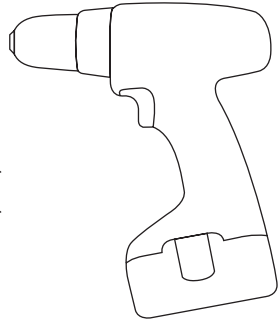
2mm

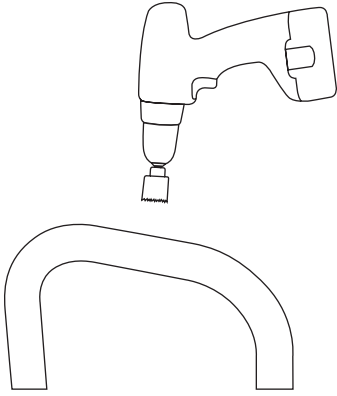
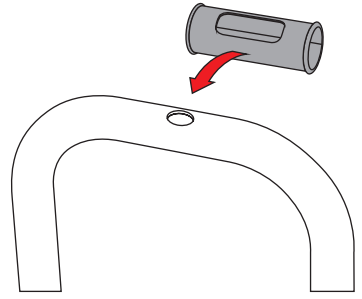
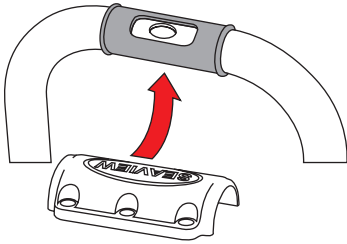
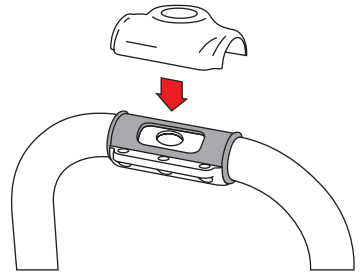
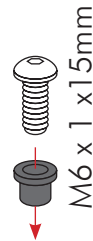
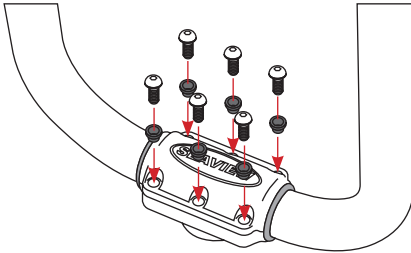
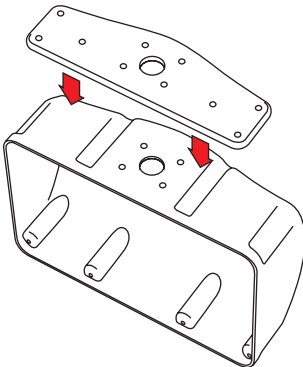
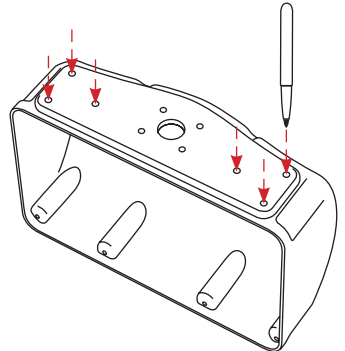


20 TPI

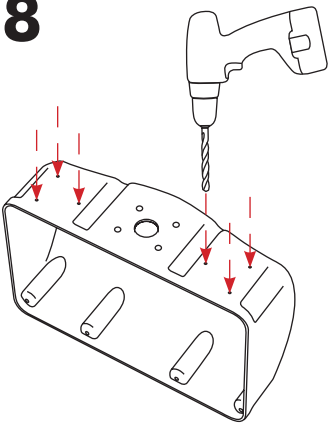


19mm / 3/4"

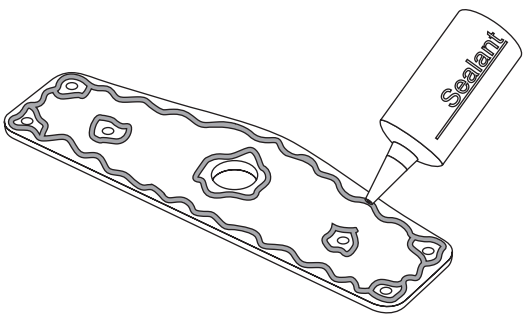


**1****2****3****4****5****6****7**

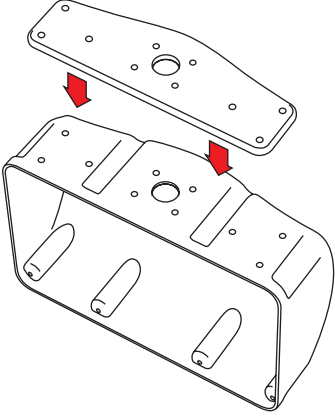
**8**



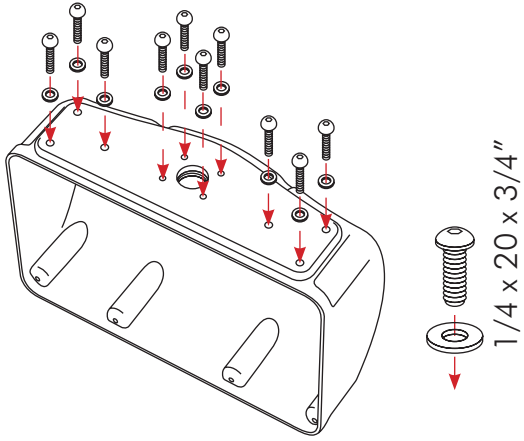
**9**



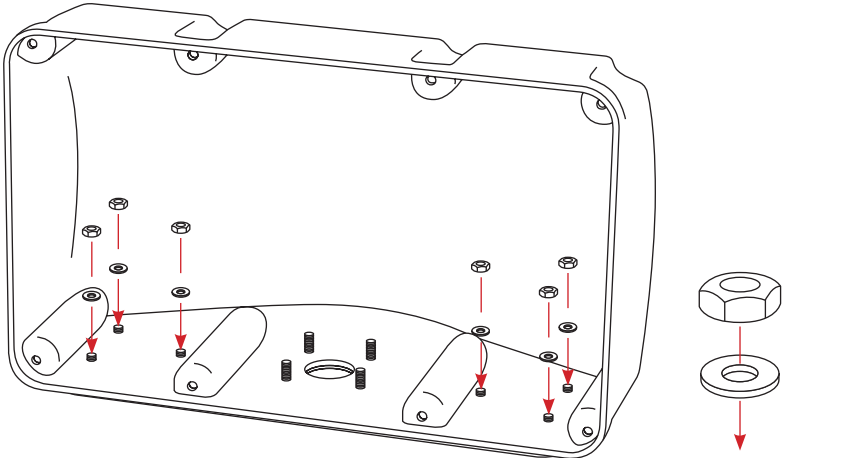
**10**



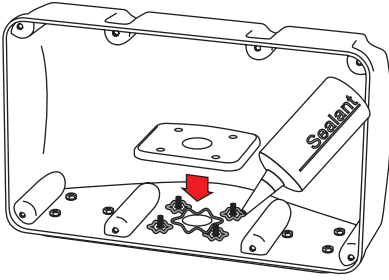
**11**



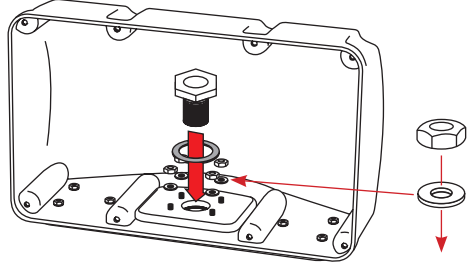
**12**



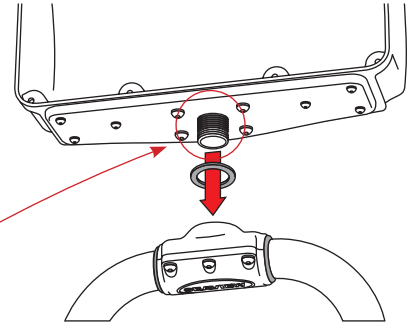
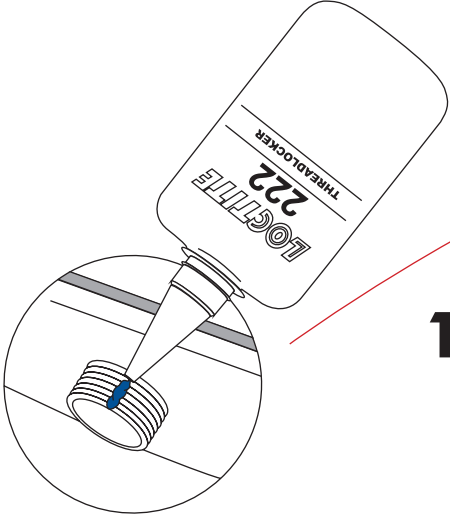
13



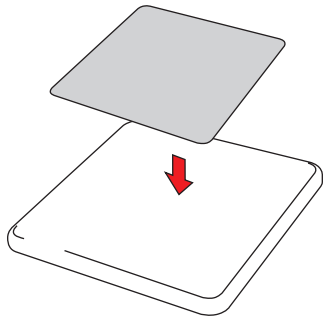
14



15

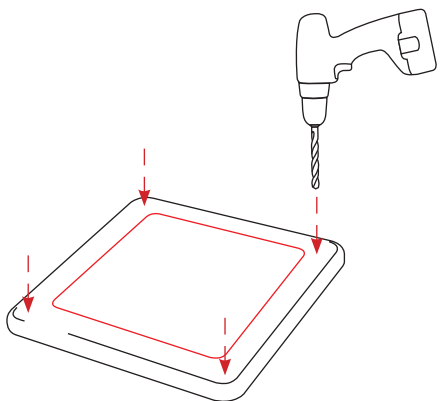
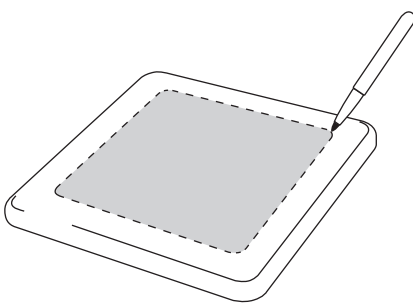


16

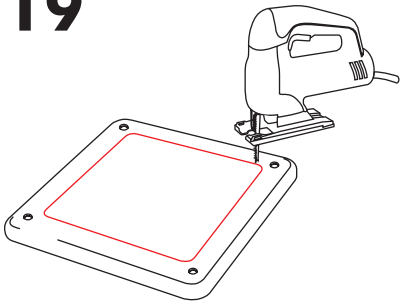


17

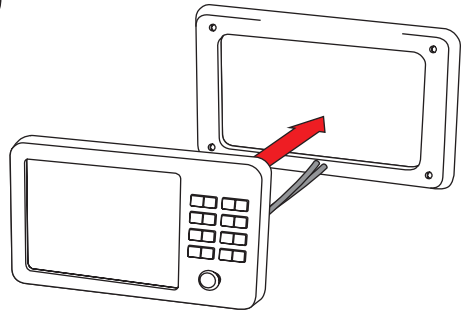
18



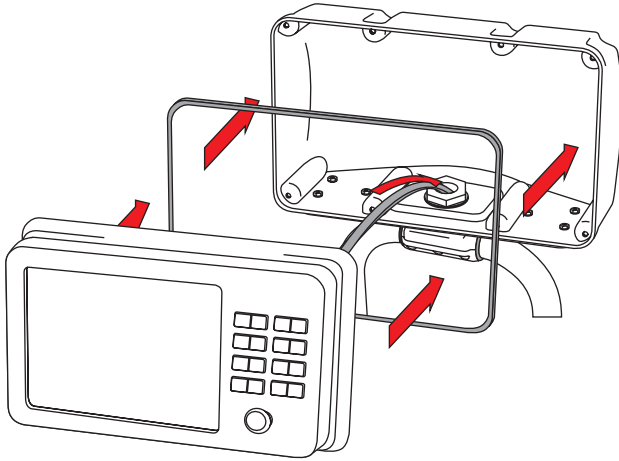
19



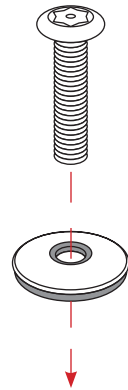
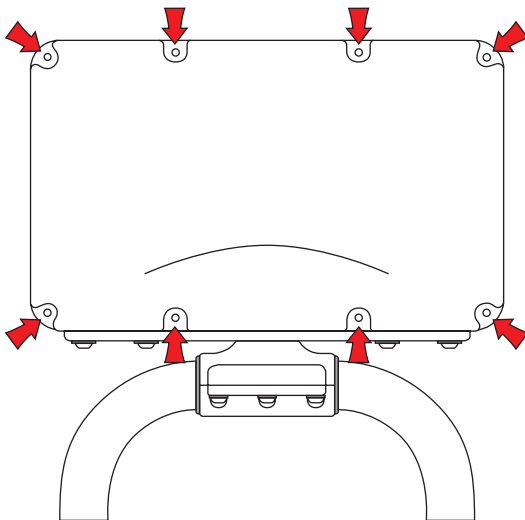
20



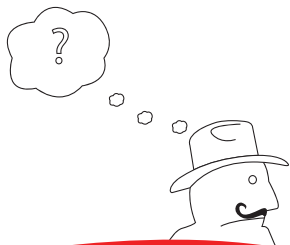
21



22



M4 x 0.7 x 20mm



**North American Office**

12532 Beverly Park Road,  
Lynnwood, WA 98087  
Tel: 800-523-7558  
Fax: 425-355-3661  
[www.seaviewglobal.com](http://www.seaviewglobal.com)

**European Office**

Tel: +33 4 94 53 27 70  
Fax: +33 4 94 53 26 62  
ZI Du Capitou, 85 Rue Louis Lepine,  
Frejus 83600 - France  
[www.seaviewprogress.com](http://www.seaviewprogress.com)