

Vimar - 16000 - 1P 10AX 1-way switch grey

Code	16000
Family	Idea / Devices / Basic devices
Description	1P 10AX 1-way switch grey
Long Description	1P 10 AX 250 V~ 1-way switch, grey. Max 100 W for integrated ballast lamps (IEC 60669-1:2017)
Product Status	3 - Active
Minimum order quantity	50 NR



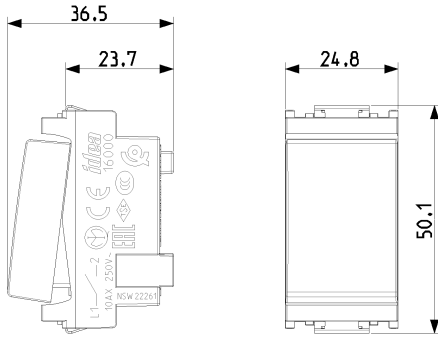
Certifications

- 01. IMQ - Italy ([download](#))
- 04. NF - France ([download](#))
- 05. SEV - Switzerland ([download](#))
- 09. VDE - Germany ([download](#))
- 10. EAC Eurasian Customs Union
- 14. TSE - Turkey ([download](#))
- 15. CCC - China ([download](#))
- 19. NOM - Mexico
- 20. IRAM - Argentina
- 23. INMETRO - Brazil ([download](#))
- 28. NSW / RCM - Australia ([download](#))
- 37. Marking - Morocco
- 96. Electrotechnical expert ([download](#))

99. WEEE Directive ([download](#))

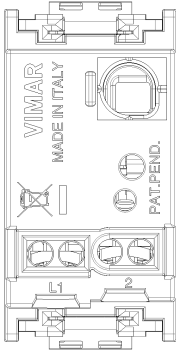
Drawings

SPACE VIEW



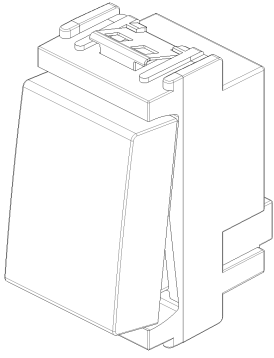
[download.png](#) - [download.dxf](#)

BACKSIDE VIEW



[download.png](#) - [download.dxf](#)

3D VIEW



[download.png](#) - [download.dxf](#)

Technical data

Class group: Domestic switching devices

Class: Switch

Wiring system: Off switch 1-pole

Method of operation: Rocker/button

Assembly arrangement: Modular device for domestic switching devices

Number of modules (module syst): 1

Push button switch: Yes

Number of rockers: 1

Mounting method: Flush mounted (plaster)

Type of fastening: Engage (snap)

With mounting plate: No

Material: Plastic

Material quality: Thermoplastic

Halogen free: Yes

Surface protection: Untreated

Surface finishing: Matt

Colour: Grey

RAL-number (akin): 7015

Label space/information surfac: Yes

Illumination: No

Function lighting: Other

Type of lighting: Other

Suitable for degree of protect: IP40

Nominal voltage: 250 v

Rated current: 10 A

Feedback-signal contact: No

Connection type: Screwed terminal

Washing machine switch: No

Width of device: 24,80 mm

Height of device: 50,10 mm

Depth of device: 36,50 mm

Built-in depth: 23,30 mm

Packaging



Code 8007352066298

Quantity 1 NR

Dim. 4.1x2.8x5.3 [cm]

Weight 27.47 [g]



Code 8007352066304

Quantity 50 NR

Dim. 21.4x11.6x14.2
[cm]

Weight 1,454.8 [g]



Code 8007352263109

Quantity 500 NR

Dim. 57.5x22.5x30
[cm]

Weight 15,072 [g]

Share



Legal

Vimar reserves the right to change at any time and without notice the characteristics of the products reported.



Installation should be carried out by qualified staff in compliance with the current regulations regarding the installation of electrical equipment in the country where the products are installed.

For the terms of use of the information on the product info sheet see [conditions of use](#).