

Vimar - 16261 - 2P+E 10A Australian SICURY-outlet grey

Code	16261
Family	Idea / Devices / Other standards socket outlets
Description	2P+E 10A Australian SICURY-outlet grey
Long Description	2P+E 10 A 250 V~ SICURY socket outlet, Australian standard, grey - 2 modules
Product Status	3 - Active
Minimum order quantity	20 NR

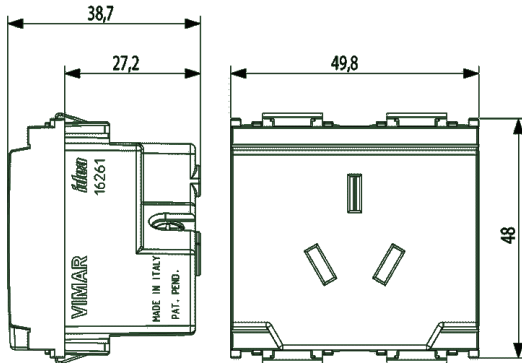


Certifications

- 00. CE Marking - EU
- 28. NSW / RCM - Australia ([download](#))
- 37. Marking - Morocco
- 99. WEEE Directive ([download](#))

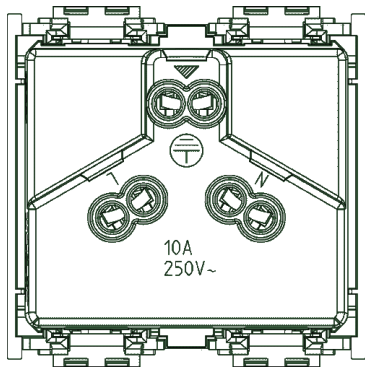
Drawings

SPACE VIEW



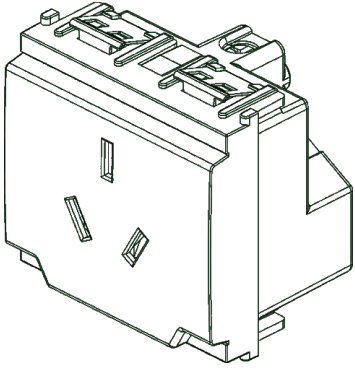
[download.png](#) - [download.dxf](#)

BACKSIDE VIEW



[download.png](#) - [download.dxf](#)

3D VIEW



[download.png](#) - [download.dxf](#)

Technical data

Class group: Domestic switching devices

Class: Socket outlet

Model: Australian standard AS/NZS 3112

With built-in USB power supply: No

Number of units: 1

Number of modules (module syst): 2

Number of socket outlets switc: 0

Imprint/indication: Without imprint

Connection type: Screwed terminal

With hinged lid: No

With child-protection: Yes

Label space/information surfac: Yes

Colour: Grey

RAL-number (akin): 7015

Transparent: No

Lockable: No

Eject-mechanism: No

Insulated mounting: No

With function lighting: No

Over voltage protection: No

Fault current protection: No

Mounting method: Flush mounted (plaster)

Material: Plastic

Material quality: Thermoplastic

Halogen free: Yes

Surface protection: Untreated

Surface finishing: Matt

With on/off switch: No

With loop through function: No

Rotated central insert: No

Nominal current: 10 A

Nominal voltage: 250 v

Frequency: 50,00 - 60,00 HZ

Suitable for degree of protect: IP20

For heavy conditions (in accor: No

Impact strength: Other

Width of device: 49,80 mm

Height of device: 50,10 mm

Depth of device: 38,70 mm

Packaging



8 007352 293427

Code 8007352293427

Quantity 1 NR

Dim. 5.1x4.3x5.3 [cm]

Weight 49 [g]



Code 8007352293434

Quantity 20 NR

Dim. 26.9x11.6x9 [cm]

Weight 1,063 [g]

Share



Legal

Vimar reserves the right to change at any time and without notice the characteristics of the products reported.

Installation should be carried out by qualified staff in compliance with the current regulations regarding the installation of electrical equipment in the country where the products are installed.

For the terms of use of the information on the product info sheet see [conditions of use](#).