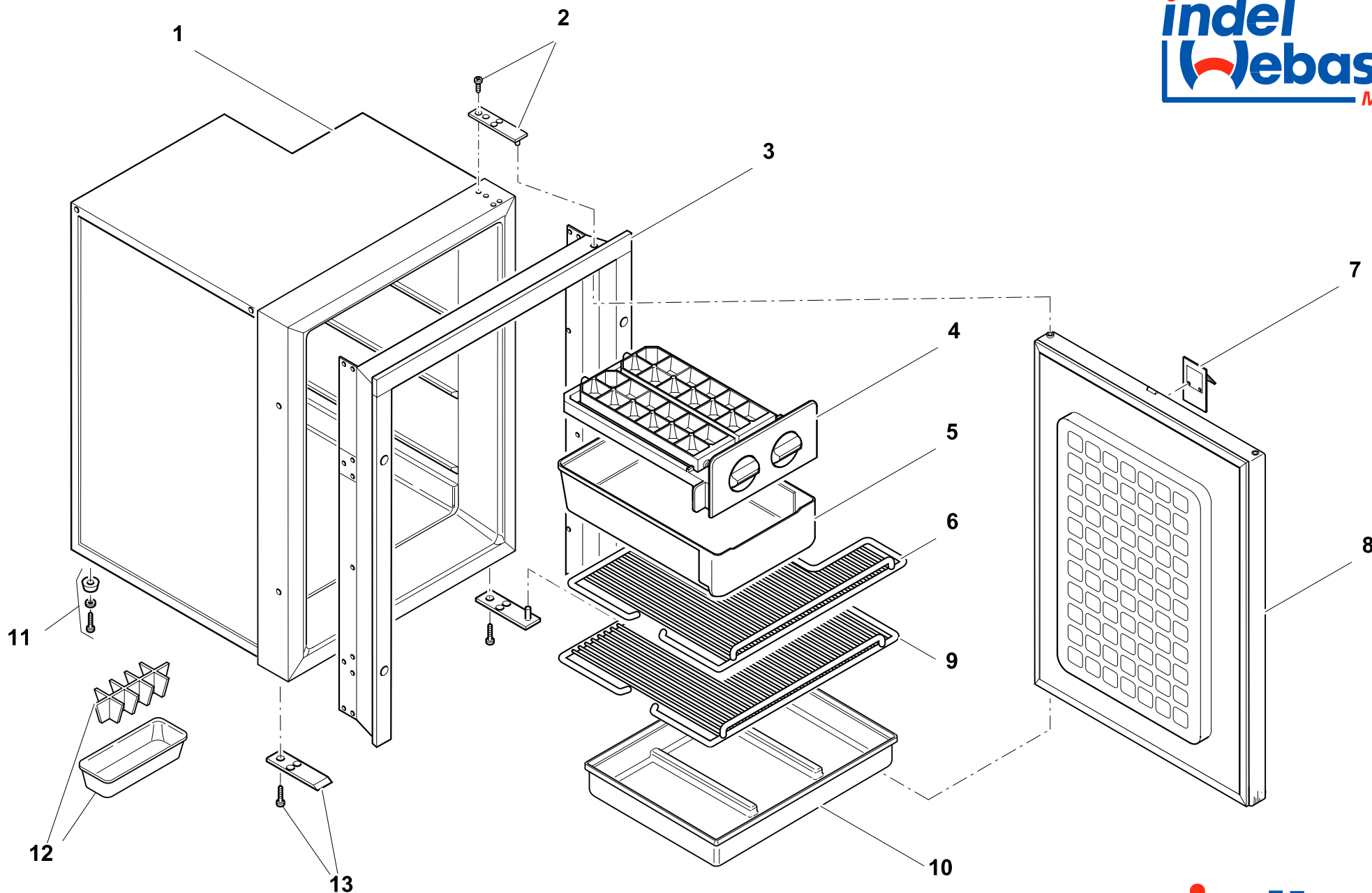


CR 63 FREEZER INOX - COOLING UNIT



CR 63 FREEZER INOX - CABINET

NUMERO	CODICE ARTICOLO	DESCRIZIONE ARTICOLO
NUMBER	ITEM CODE	ITEM DESCRIPTION

1		
2	SBE00021AA	CERNIERA INOX CR42/50/65/80/120L F006 HINGE INOX FOR CR42-50-65-80-120L F006
3		
4		
5		
6		
7	SGD00012AA	MANIGLIA INOX "CRUISE INOX". INOX HANDLE/LOCKER FOR "CRUISE INOX"
8	SGC00181AA	PORTA INOX CR63 FREEZER INOX DOOR CR63 FREEZER
9	SGC00420AA	GRIGLIA INFERIORE CR63F LOWER SHELF CR63F
10		
11	SDF00010AA	PIEDINI CRUISE RUBBER FOOT CRUISE/TB26 E073
12	SGC00022AA	CUBETTIERA D021 ICE CUBE D021
13	SGB00036AA	SOSTEGNO INOX CONTROPORTA CR42/50/65/80/120L INOX SUPPORT FOR CRUISE DOOR CR42/50/65/80/120L
14	SEA00103AA	TERMOSTATO CR63F/CR65FCR90F FREEZER THERMOSTAT CR63F/CR65F/CR90F FREEZER
15	SEA00021AA	STAFFA FISSAGGIO TERMOSTATO THERMOSTAT PROBE ALUMINIUM FIXING BRACKET C009
16	SEA00012AA	SCATOLA PVC BIANCA TERMOSTATO FREEZER WHITE THERMOSTATE HOUSE FOR FREEZER THERMOSTAT
17		
18	SEG00002DA	CENTRALINA DANFOSS BD35/50F 12/24V ELECTRICAL UNIT DANF. 101N0210 BD35/50F 12/24V TP39310
18	SEG00030GA	CENTRALINA DANFOSS BD35/50F AC/DC 12/24V DC 110/220V AC ELECT. UNIT DANFOSS BD35F/50FAC/DC 12/24V-115/230V
19	SBA00002DA	COMPRESSORE DANFOSS BD35F DANFOSS COMPRESSOR BD35F 12/24V NO ELECTRICAL UNIT TP39301
20	SBD00028AA	CONDENSATORE A FILO AIR CONDENSER PIN TYPE WITH BRACKET (G251+G267) TP29014
21	SBG00005BA	VENTOLA CABLATA 12V LOW SPEED FAN 12V LOW SPEED FOR COMPACT AND CRUISE TP39236
22	SBD00073AA	FILTRO 10g PER CR FILTER 10Gr FOR R134a B041 TUBE 6+2mm (CRUISE/DANFOSS)