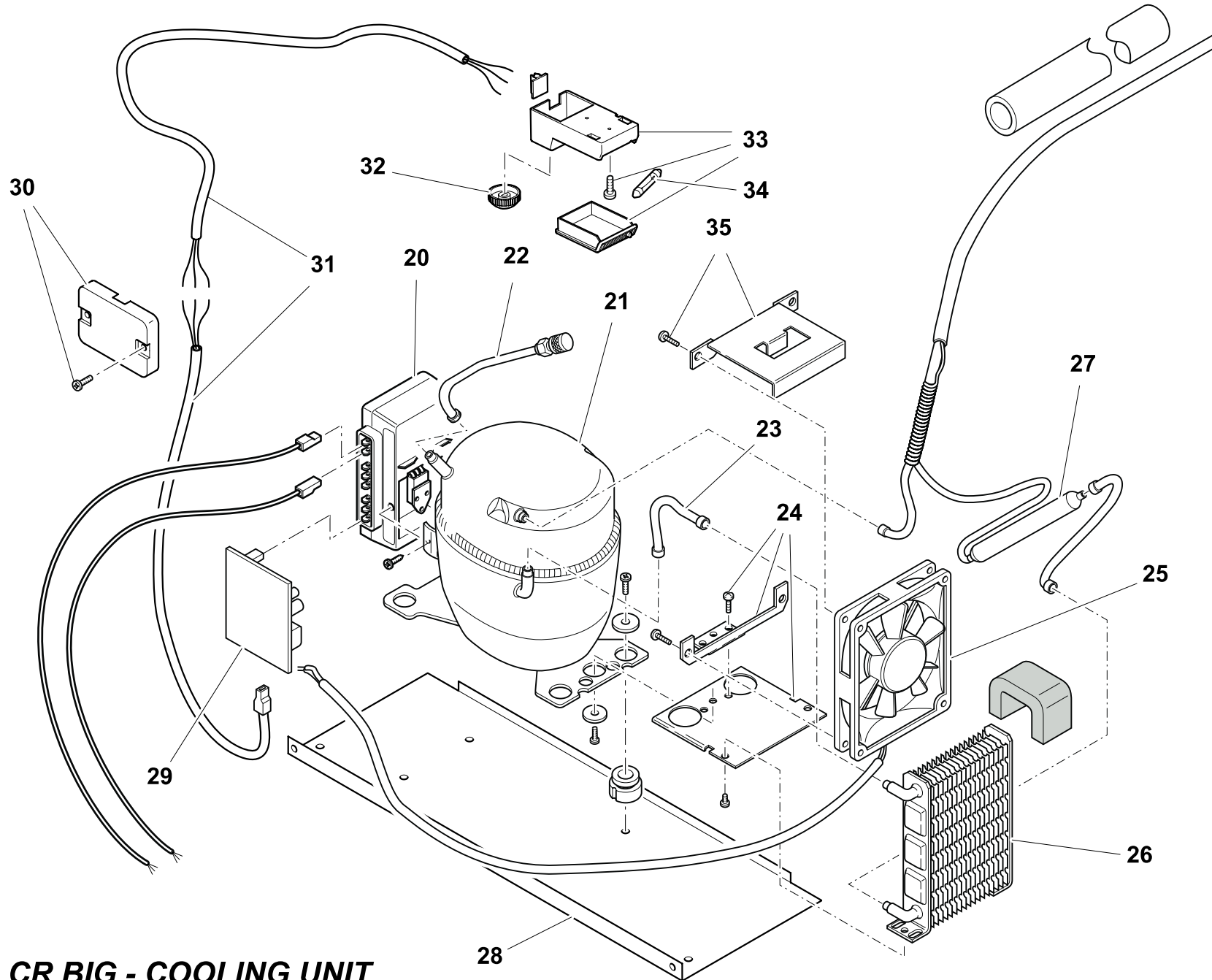
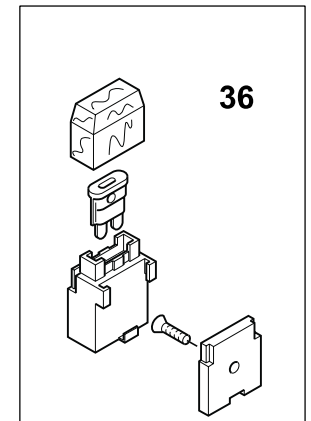


CR BIG - CABINET



CR BIG - COOLING UNIT



NUMERO NUMBER	CODICE ARTICOLO ITEM CODE	DESCRIZIONE ARTICOLO ITEM DESCRIPTION
1		
2		
3	SGA00072AA	PANNELLO PORTA CR90 BIG TEAK SET 2 PZ DOORFRONT TEAK CR90 BIG KIT 2 pcs
4		
5	SGC00002AA	PORTA FREEZER CR90/BIG FREEZER DOOR CR90/BIG
6		
7	SGF00028AA	FERMO PORTA CRUISE 90 BIG DOOR STOP CRUISE 90 BIG
8	SGA00072AA	PANNELLO PORTA CR90 BIG TEAK SET 2 PZ DOORFRONT TEAK CR90 BIG KIT 2 pcs
9		
10	SGC00092AA	PORTA COMPLETA CR90 BIG FRIDGE DOOR CR90 BIG
11		
12		
13	SGC00093AA	GRIGLIA INTERNA CR90 BIG INTERNAL SHELF CR90 BIG
14		
15		
16		
17		
18		
19	SGC00022AA	CUBETTIERA ICE CUBE
20	SEG00002DA	CENTRALINA DANFOSS BD35/50F 12/24V ELECTRICAL UNIT DANF. 101N0210 BD35/50F 12/24V
20	SEG00030GA	CENTRALINA DANFOSS BD35/50F AC/DC 12/24V DC 110/220V AC ELECT. UNIT DANFOSS BD35F/50FAC/DC 12/24V-115/230V
21	SBA00002DA	COMPRESSORE DANFOSS BD35F DANFOSS COMPRESSOR BD35F 12/24V NO ELECTRICAL UNIT
22		
23		
24		
25	SBG00005BA	VENTOLA CABLATA 12V LOW SPEED FAN 12V LOW SPEED FOR COMPACT AND CRUISE
26		
27	SBD00073AA	FILTRO 10g PER CR FILTER 10Gr FOR R134a B041 TUBE 6+2mm (CRUISE/DANFOSS)
28		
29		
30		
31		
32		
33		
34	SEC00005CA	LAMPADA A SILURO 24V-3W LIGHT BULB 24V-3W
34	SEC00007BA	LAMPADA A SILURO 12V-3W LIGHT BULB 12V-3W
35		
36		