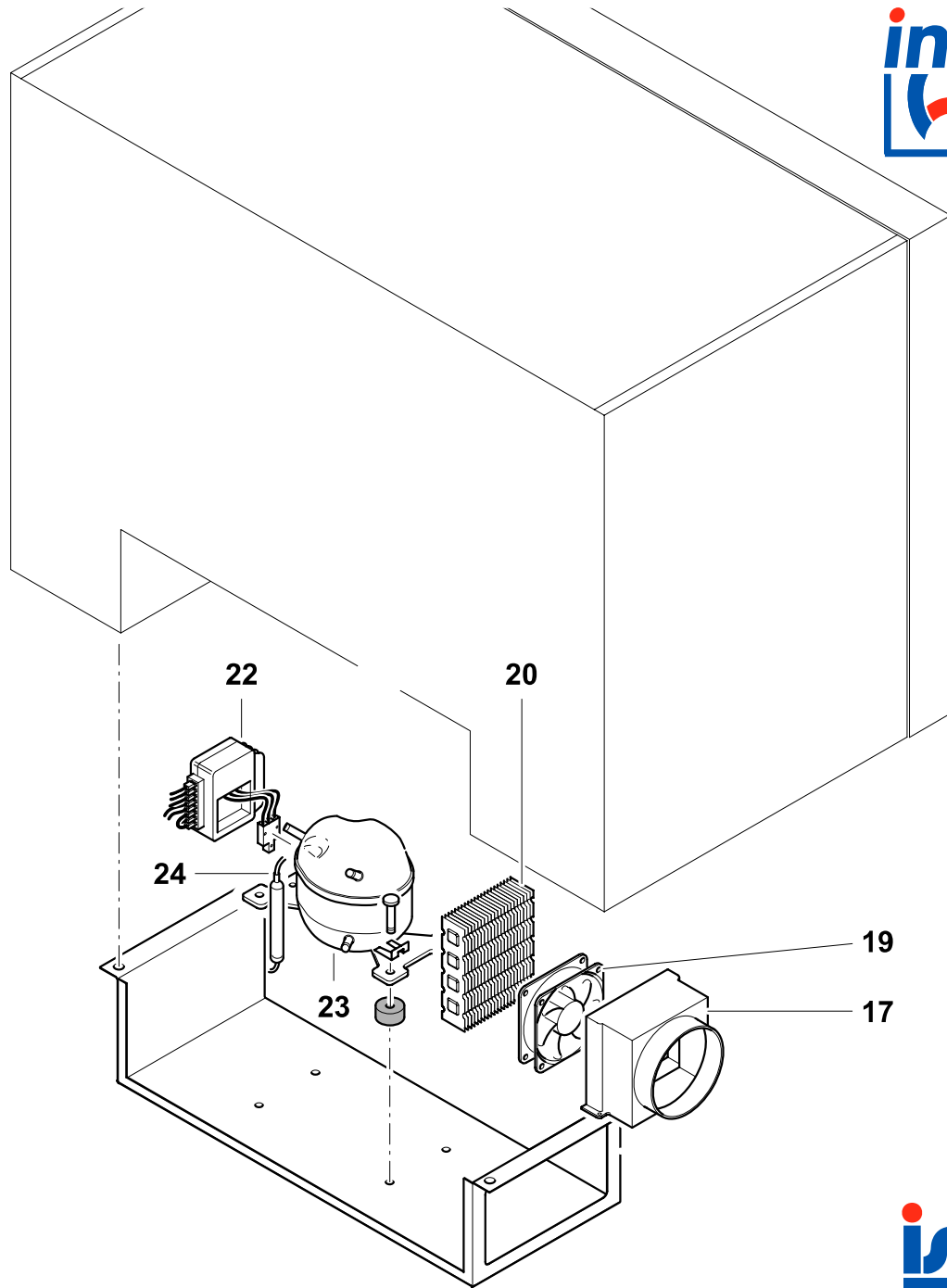
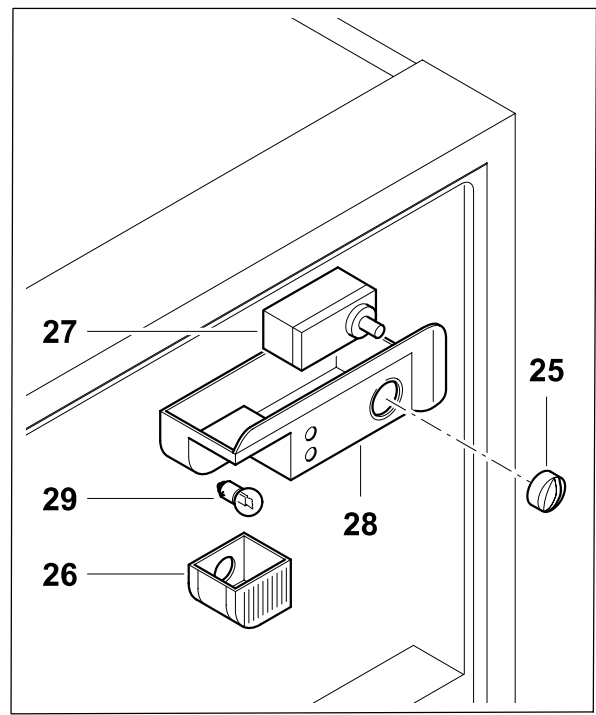


DR 190 - CABINET



DR 190 - COOLING UNIT

NUMERO	CODICE ARTICOLO	DESCRIZIONE ARTICOLO
NUMBER	ITEM CODE	ITEM DESCRIPTION
1	SDF00068AA	PIEDINO PLASTICA NERA REGOLABILE PER DR190 INOX BLACK PLASTIC FOOT FOR DR190 INOX
2	SBE00181AA	STAFFA INOX AGGANCIO MANIGLIA CASSETTO SUPERIORE DR190 INOX INOX HANDLE BRACKET FOR UPPER DRAWER DR190 INOX
4	SGB00120AA	FLANGIA FM 3-LATI INOX LUCIDO PER DR190 INOX FLANGE 3 SIDES GLOSSY INOX FOR DR190 INOX
5	SGC00308AA	CESTELLO FERRO DR190 INOX METAL BASKET FOR DR190 INOX
6	SGC00309AA	CESTELLO PLASTICA GRIGIA CASSETTO SUPERIORE DR190 INOX GREY PLASTIC BASKET FOR UPPER DRAWER DR190 INOX
7	SGD00051AA	GUIDA FISSA DX+SX X KIT GUIDE LUNGHE SENZA PISTONE LONG FIRM SLIDE RH+LH WITHOUT PISTON FOR SLIDE KIT
8	SGC00310AA	CASSETTO SUPERIORE COMPLETO DR190 INOX COMPLETE UPPER DRAWER FOR DR190 INOX
9	SBE00182AA	STAFFA METALLO PER BOTTIGLIE CASSETTO INFERIORE DR190 INOX METAL BRACKET FOR BOTTLES LOWER DRAWER DR190 INOX
10	SGC00311AA	CASSETTO INFERIORE COMPLETO DR190 INOX COMPLETE LOWER DRAWER DR190 INOX
11	SGD00012AA	MANIGLIA INOX "CRUISE INOX" INOX HANDLE/LOCKER FOR "CRUISE INOX"
12	SGC00312AA	CONTENITORE GRANDE CON COPERCHIO PER CASSETTO INFERIORE DR190 INOX BIG BIN WITH LID FOR LOWER DRAWER DR190 INOX
13	SGC00313AA	CONTENITORE PICCOLO CON COPERCHIO PER CASSETTO INFERIORE DR190 INOX SMALL BIN WITH LID FOR LOWER DRAWER DR190 INOX
14	SGC00314AA	CASSETTO INT. PLASTICA CON SUPPPORTO PER CASSETTO SUPERIORE DR190 INOX INTERNAL PLASTIC DRAWER WITH SUPPORT FOR UPPER DRAWER DR190 INOX
15	SGB00117AA	SCONTRINO INOX MANIGLIA CASSETTO INFERIORE DR160/DR190 HINGE DOOR HANDLE FOR DR160/DR190 BOTTOM DRAWER
16	SGC00152AA	PORTABOTTIGLIE PIEGHEVOLE BOTTLE RACK COLLAPSIBLE
17	SBE00007AA	CONVOGLIATORE ARIA UNITA' BD50 PLASTIC HOSE FOR LAMELL CONDENSER
19	SBG00005BA	VENTOLA CABLATA 12V LOW SPEED FAN 12V LOW SPEED FOR COMPACT AND CRUISE TP39236
20	SBD00036AA	CONDENSATORE LAMELLARE BD50F CON STAFFA LAMELL CONDENSER FOR BD50F WITH BRACKET
22	SEG00002DA	CENTRALINA DANFOSS BD35/50F 12/24V ELECTRICAL UNIT DANF. 101N0210 BD35/50F 12/24V TP39310
22	SEG00030GA	CENTRALINA DANFOSS BD35/50F AC/DC 12/24V DC 110/220V AC ELECT. UNIT DANFOSS BD35F/50FAC/DC 12/24V-115/230V
23	SBA00004DA	COMPRESSORE BD50F SENZA CENTRALINA TP39319 DANFOSS COMPRESSOR BD50F NO ELECTRICAL UNIT TP39319
24	SBD00073AA	FILTRO 10g PER CR FILTER 10Gr FOR R134a B041 TUBE 6+2mm (CRUISE/DANFOSS)
25	SEA00109AA	MAOPOLA TERMOSTATO DR190 INOX THERMOSTAT KNOB FOR DR190 INOX
26	SBE00183AA	COPERTURA LAMPADA PLASTICA TRASPARENTE DR190 INOX LIGHT COVER TRANSPARENT LIGHT DR190 INOX
27	SEA00108DA	TERMOSTATO DR190 INOX DR190 INOX THERMOSTAT
28	SEA00110AA	SCATOLA PORTATERMOSTATO DR190 INOX THERMOSTAT BOX DR190 INOX
29	SEC00008BA	LAMPADA TUBOLARE 12V-3W G162 LIGHT BULB 12V 3W G162
29	SEC00009CA	LAMPADA TUBOLARE 24V-3W G163 LIGHT BULB 24V 3W G163
30	SGC00315AA	RIPIANO IN VETRO CASSETTO SUPERIORE DR190 INOX GLASS SHELF FOR UPPER DRAWER DR190 INOX