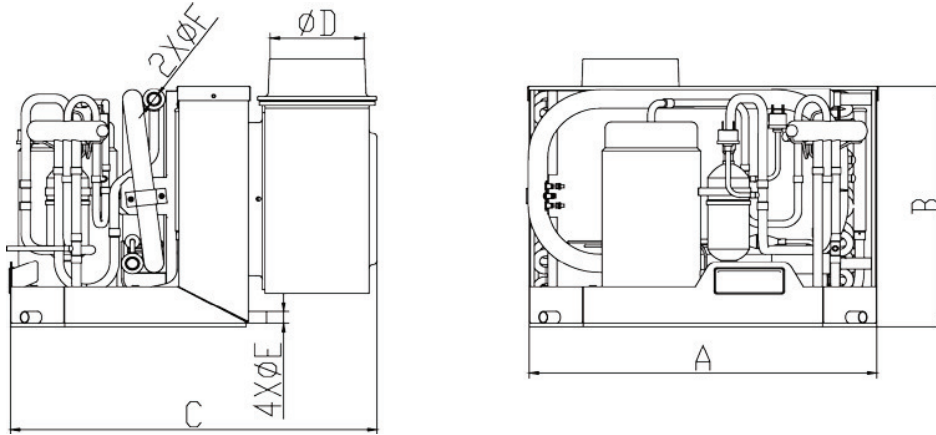


3.3 Outline Dimensions



Units: mm

	A	B	C	D	E	F
FCF 6,000 BTU 115V	285	295	408	91.5	16	19
FCF 6,000 BTU 230V						
FCF 10,000 BTU 115V	380	310				
FCF 10,000 BTU 230V						
FCF 12,000 BTU 115V	549	330	320	119.4		
FCF 12,000 BTU 230V						
FCF 16,000 BTU 115V			619			
FCF 16,000 BTU 230V						
FCF 20,000 BTU 230V	529	386	595			
FCF 25,000 BTU 230V						